

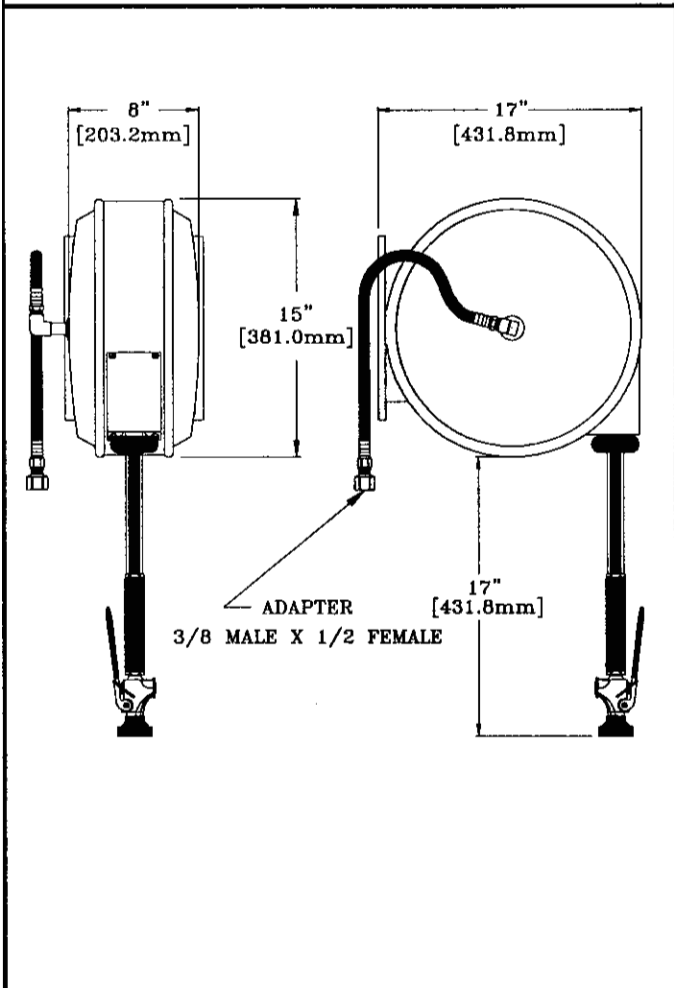
FISHER

SPEC. 2985 REV. "A"

JOB NAME:

QUANTITY:

ITEM NO.:



PRODUCT NAME:
REEL RINSE STN. STL. COVER WALL MOUNT

_____ SPECIAL CONFIGURATION
(CHECK BASE MODEL AND OPTIONS)

MODEL:
 2985

OPTIONS OR MODIFICATIONS:

BRUSH

OTHER _____

FEATURES:

REEL

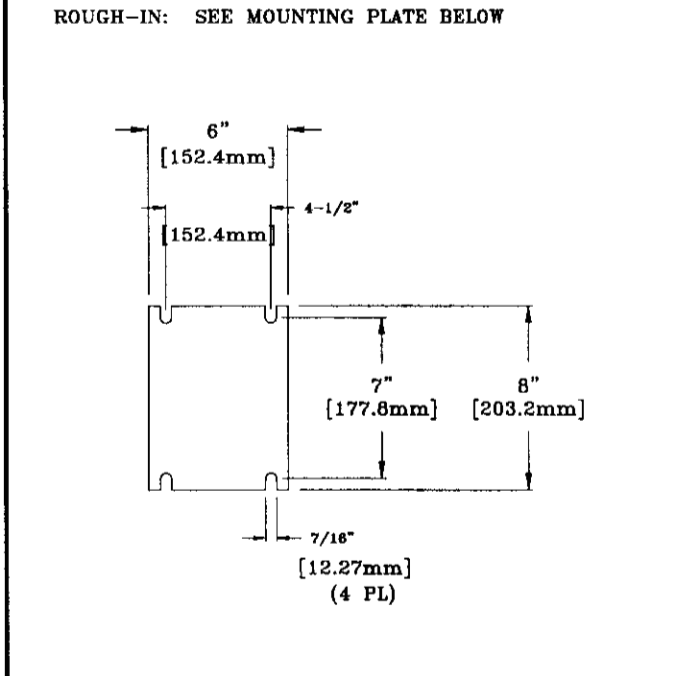
- SELF LOCKING
- STAINLESS STEEL COVER

HOSE

- 30' LENGTH REEL HOSE
- 19" LENGTH INLET HOSE
- 3 PLY FIBER REINFORCED RUBBER HOSE
- ADJUSTABLE BALL STOP

STANDARD SPRAY VALVE

- NOZZLE THREADED INTO VALVE
- 2.65 GPM AT 80 PSI
- SHOWER SPRAY PATTERN



RECOMMENDED SETTINGS


- 110°F AT 80 PSI

SYSTEM LIMITS

- TEMP: 40°F MIN. TO 140°F MAX.
- PRESSURE 200 PSI MAX. STATIC

SHIPPING WEIGHT

- 35.0 LBS

 ANSI/A112.18.1M